

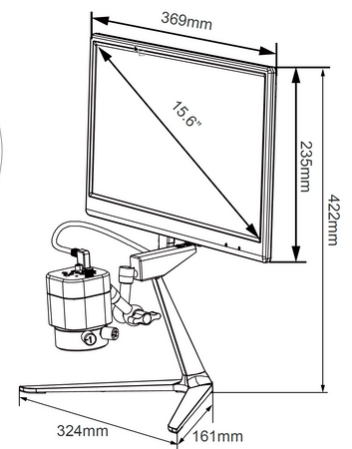
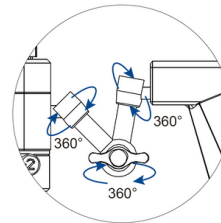


HDMI Digital Microscope

CE210T-B

HDMI Digital Microscope (Type B)

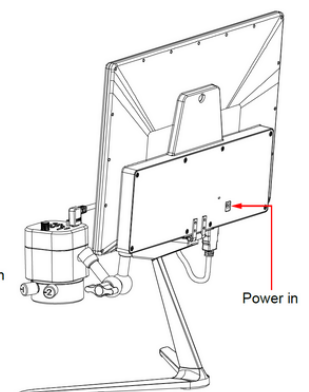
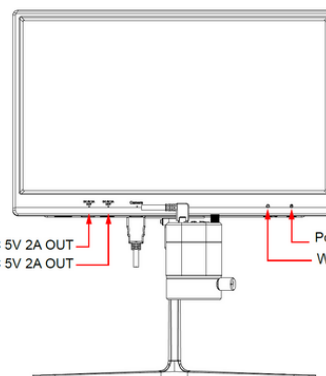
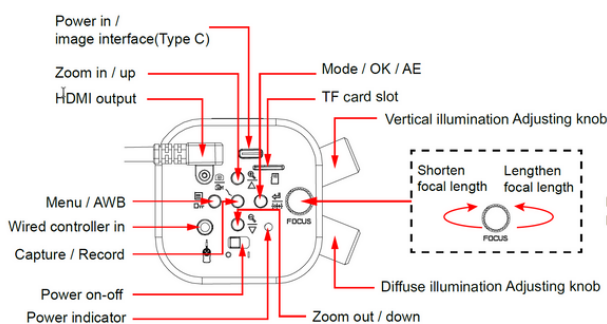
- Designed for convenient tabletop inspection
- Ergonomic design, 360° universal pivot bracket, hovering freely
- Ultra-high dynamic range HDMI camera allows to see more details
- 15.6 inch 1080P FHD display with true color. Live image is displayed immediately upon startup
- Dual LED ring lights provide diffuse and high-contrast lighting with independent controls to find the perfect balance
- Monitor angle can be finely adjusted, elevation angle is $\leq 135^\circ$, depression angle is $\leq 45^\circ$
- Compact design without complicated cables and accessories, easy to install and keep your table clean



Model	CE210T-B
Digital Magnification	7.6X ~ 49.4X (for 15.6" display actual measurement)
Working Distance	44mm ~ 198mm
Depth of Field	0.8mm ~ 8mm
Observation Scope	7mmx4mm (49.4X) to 45mmx25mm (4.5X)
Camera Resolution	2.0 MP (1920 x 1080 pixels)
Sensor Type	Sony IMX291 CMOS (color)
Sensor Size	1/2.8" (Diagonal: 6.46mm)
Pixel Size	2.9 μ m x 2.9 μ m
Dynamic Range	128 dB
Shutter	Electronic rolling shutter
Sensitivity	1300mV @ 1/30s (f/5.6)
Video Resolutions	1920x1080 30fps, 1280x720 60fps
File Formats	JPG (photo), MOV (video)
Recording Media	MicroSD up to 128GB
I/O	I/O Mini-HDMI (video out), USB-C (data and power)
Ring Light 1	18 LED
Ring Light 2	13 LED
Power Requirements	DC12V / 3A
Monitor	15.6 inch 1080P FHD display

Specifications of Monitor

Screen Size	344.2mm(H) x 193.6mm(V)
Number of Pixels	1920 x 1080
Pixel Array	RGB Vertical stripe
Display colors	16.7M (8 bit)
Surface treatment	Anti-Glare
Surface hardness	3H
Viewing angle range	178° horizontal, 178° vertical
Contrast	800:1
Pixel Size	2.9 μ m x 2.9 μ m
Brightness	500cd/m ² (Five-point average)



Specifications are subject to change without any obligation on the part of the manufacturer.



LANOPTIK TECHNOLOGIES LTD

No. 72 Hongjing Street, Lejia Road, Baiyun District, Guangzhou, China. 510400

Phone: +86 20 3898 6017 | Fax: +86 20 3847 6076

Website: <http://www.lanoptik.com> | Email: info@lanoptik.com